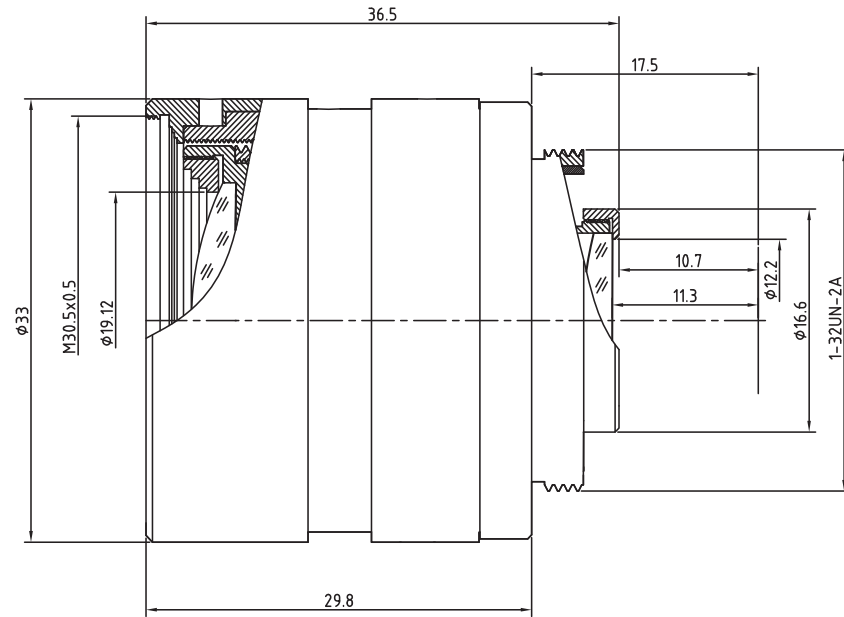


Sensor	CCD/CMOS
Image Format	2/3"
Focal Length	35mm
Aperture, F/#	2.0
F.O.V. (D/H/V)	17°/14°/10°
Back Focal Length	11.3mm
Effective Aperture	Ø19.12mm Front
	Ø12.2mm Rear
Filter size	M30.5x0.5
Iris	Manual
M.O.D.	0.4m
Lens Construction	6-4
Mount	1-32UN-2A C
dimension	Ø33X36.5mm



TOLERANCE		UNIT	MATERIAL	SCALE	SHEET	QUANTITY	TYPE
DIMENSION	TOLERANCE	mm		3:1	1 OF 1		
X.XX	Ø 0.05			BORDER	NAME	DATE	PART NO.
X.X	Ø 0.10			A4			REV. NO.
X.	Ø 0.30			DRAWING			A
DO NOT SCALE DRAWING			TITLE	CHECKED			DATA BASE
			Lensagon C3M3520	BY			
				APPROVED			<b>CONFIDENTIAL</b>
				BY			