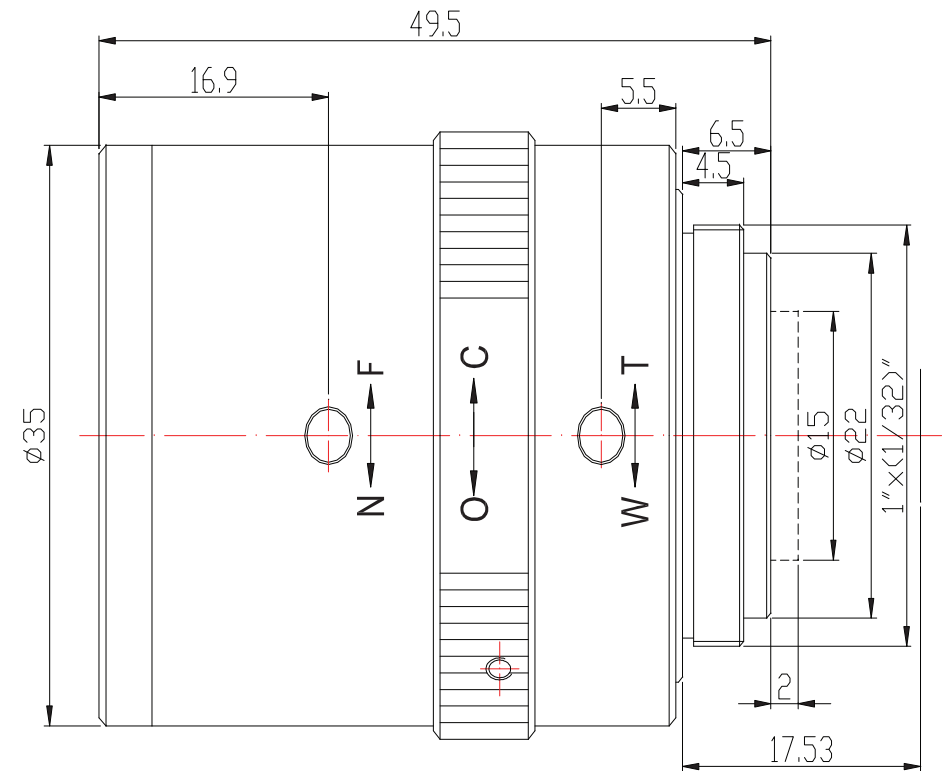



Specification

1. Image format: 1/2"
2. Mount: C
3. Focal length: 4~10mm
4. Aperture: 1.6 ~ Close
5. M.O.D: 0.2m
6. Zoom: Manual with lock
7. Focus: Manual with lock
8. Iris: Manual with lock
9. Back Focal Length: 9.5mm
10. Field of View : on 1/2" (Horizontal) : 87.2° ~ 44.4°
11. Weight: 85g
12. Note: megapixel



TOLERANCE		UNIT mm	MATERIAL	SCALE	SHEET 1 OF 1	QUANTITY	TYPE		
DIMENSION	TOLERANCE				BORDER A4	NAME	DATE	PART NO.	REV.NK A
X.XX	ø 0.05				DRAWING BY			DATA BASE	
X.X	ø 0.10				CHECKED BY				
X.	ø 0.30				APPROVED BY				
DO NOT SCALE DRAWING		TITLE Lensagon CVM40100						CONFIDENTIAL	