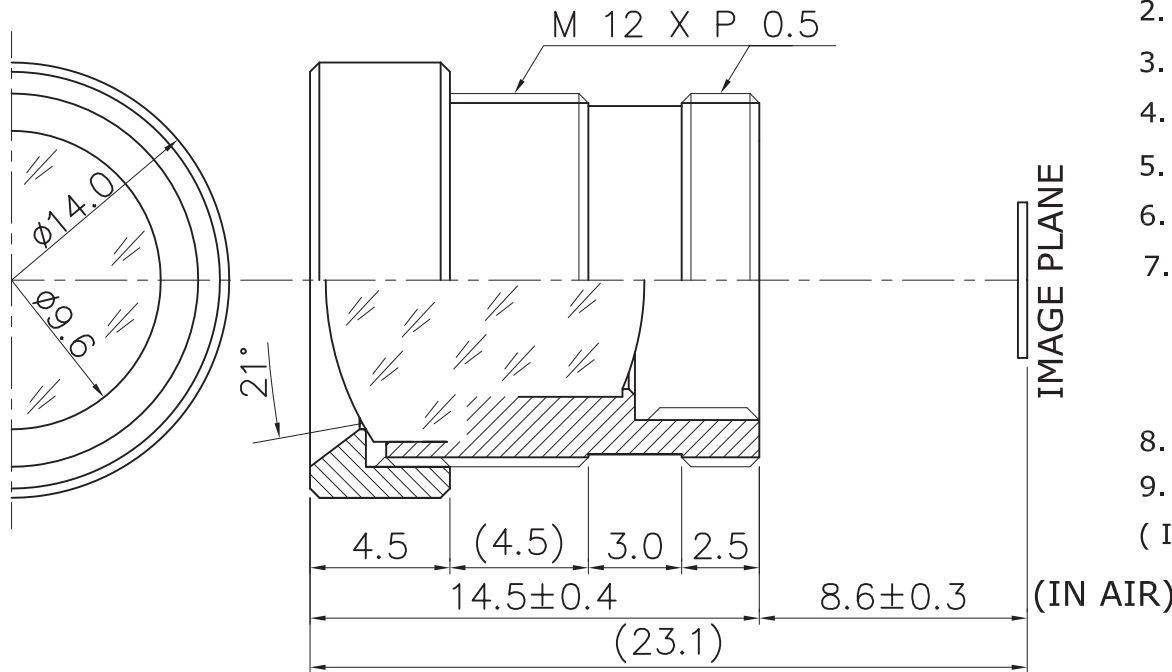


Lensagon B16020S12



1. SENSING AREA : 1/2"
 2. FOCAL LENGTH : 16.0MM ± 5%
 3. BACK FOCAL LENGTH : 12.3MM ± 5% (IN AIR)
 4. MAXIMUM RELATIVE APERTURE : 2.0± 5%
 5. IRIS : FIXED
 6. LENS CONSTRUCTION : 3COMPONENTS 3ELEMENTS
 7. ANGULAR FIELD OF VIEW :
 - DIAGONAL 27.8°
 - HORIZONTAL 22.1°
 - VERTICAL 16.8°
 8. MINIMUM OBJECT DISTANCE : 20 CM -00
 9. WEIGHT : 4.2g
- (IT IS CHANGEABLE ON EXTERNAL DIMENSION BY
BY CUSTOMER'S REQUIREMENT.)

| | | | | | |
|----------|-------------|------------|---------------------------|------|-----------|
| | | | | NO. | 00000 |
| NO. | DESCRIPTION | | MATERIAL | SIZE | Q'TY |
| DRAWN | | TOLERANCES | | | |
| CHECKED | | ANGLE 1.2° | TITLE B16020S12 | | |
| APPROVED | | x. ± 0.2 | | | |
| | | .x ± 0.1 | | | |
| SCALE | 4/1 | ☉ | | | |
| | | | DRAW NO. | | SHEET NO. |