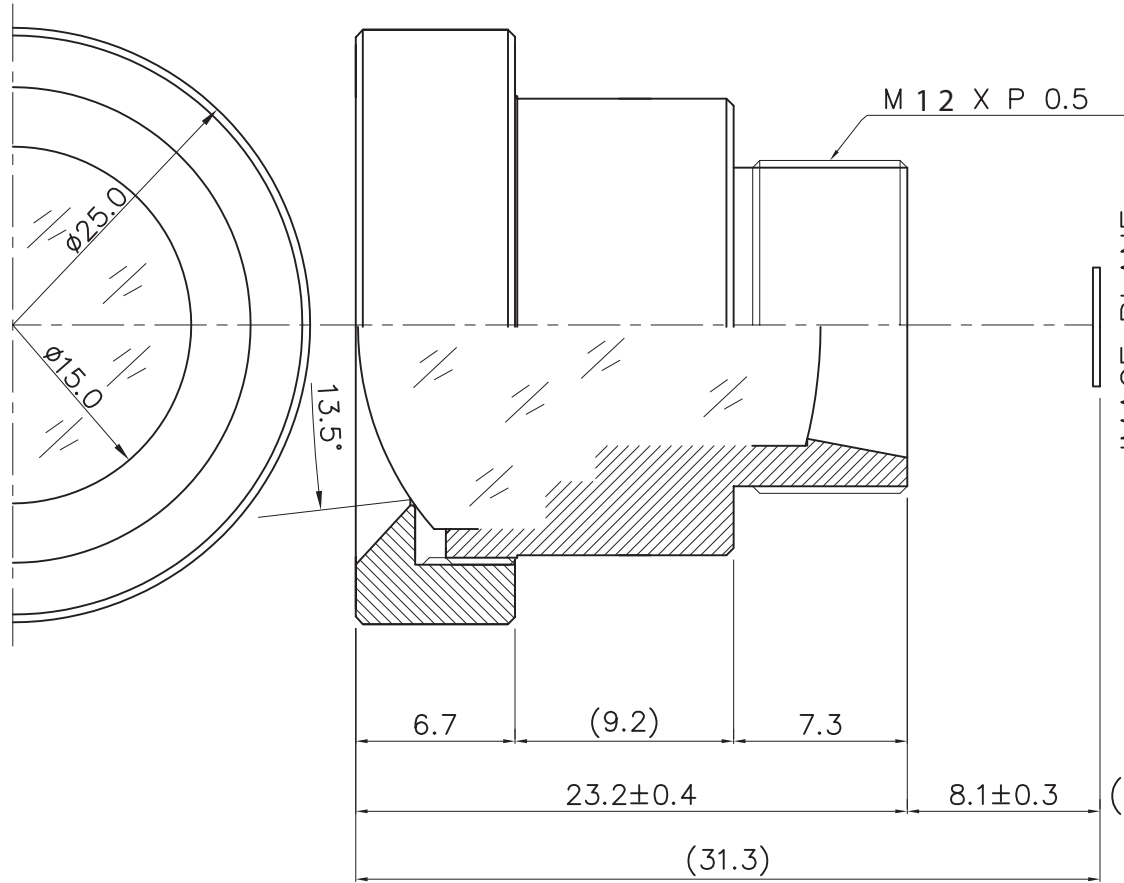


# Lensagon B25020S12



1. SENSING AREA : 1/2"
  2. FOCAL LENGTH : 25.0MM ± 5%
  3. BACK FOCAL LENGTH : 11.8MM ± 5% (IN AIR)
  4. MAXIMUM RELATIVE APERTURE : 2.5± 5%
  5. IRIS : FIXED
  6. LENS CONSTRUCTION : 4COMPONENTS 4ELEMENTS
  7. ANGULAR FIELD OF VIEW :
    - DIAGONAL 18.2°
    - HORIZONTAL 14.3°
    - VERTICAL 10.7°
  8. MINIMUM OBJECT DISTANCE : 20CM -00
  9. WEIGHT : 17.6g
- ( IT IS CHANGEABLE ON EXTERNAL DIMENSION BY  
BY CUSTOMER'S REQUIREMENT.)

IMAGE PLANE

(IN AIR)

				NO.	00000
NO.	DESCRIPTION	MATERIAL	SIZE	Q'TY	REMARK
DRAWN		TOLERANCES			
CHECKED		ANGLE 1.2°		TITLE	
APPROVED		x. ± 0.2		B25020S12	
		.x ± 0.1			
SCALE	4/1	.xx ± 0.05			
			DRAW NO.	SHEET NO.	