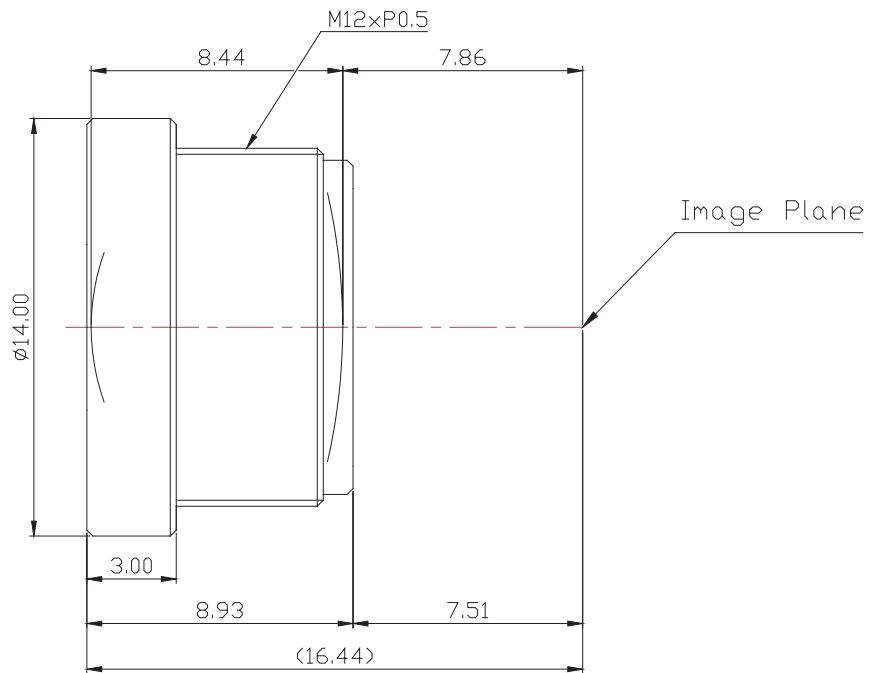


Lensagon BM10428S12

Model NO.		BM10428S12		Entrance Pupil Diameter	ø 3.72
				Entrance Pupil Position	0.75
Focal Length		10.4		Exit Pupil Diameter	ø 6.55
				Exit Pupil Position	-18.26
F - Number		2.8		Back Focal Length	7.86 In Air
Sensor Size		1/2" CCD		Flange Back Length	7.51 In Air
Operation	Iris	Fixed		Mount Type	Board Type
	Focus	40cm ~ ∞		Dimensions	ø 14.00 x 8.93
Objective Dimension at M . O . D .		-		Weight	-
Angle of View	D	1/2"	43°	Remarks Elements : 5Glass 1.2 megapixel	
	H		35°		
	V		26°		

Dimensions



\* Subject to change Without notice