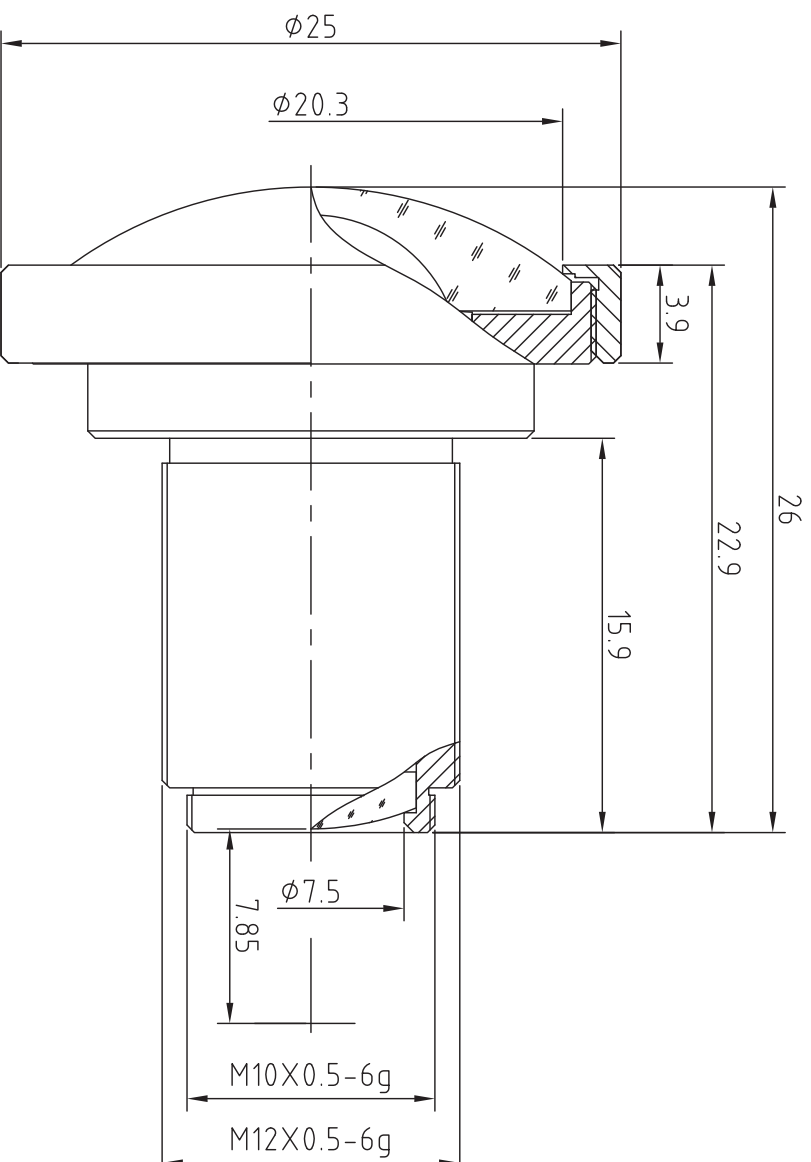


SPECIFICATION

- 1 Sensing Area: 1/1.8" CCD/CMOS
- 2 Focal Length: 2.95mm
- 3 Back Focal Length: 7.85mm
- 4 F/NO: 2.0
- 5 Iris: Fixed
- 6 Optical Distortion: 97% Max.
- 7 Lens Construction:
 - 8 Group 6Elements
- 8 Field Angle (DxHxV): 178°x138°x104°
- 9 Minimum Working Distance: 0.15m
- 10 Weight: 13g



TOLERANCE		UNIT	MATERIAL	SCALE	SHEET	NAME	DATE	TYPE	
DIMENSION	TOLERANCE	mm		5:1	1 OF 1			PART NO.	
X.XX	± 0.05							DATA BASE	
X.X	± 0.10							REV./#	
X.	± 0.30							A	
DO NOT SCALE DRAWING		TITLE		LENSAGON		BORDER		CONFIDENTIAL	
		Lensagon BM2920S118		A4		DRAWING			
				CHECKED		APPROVED			
				BY		BY			