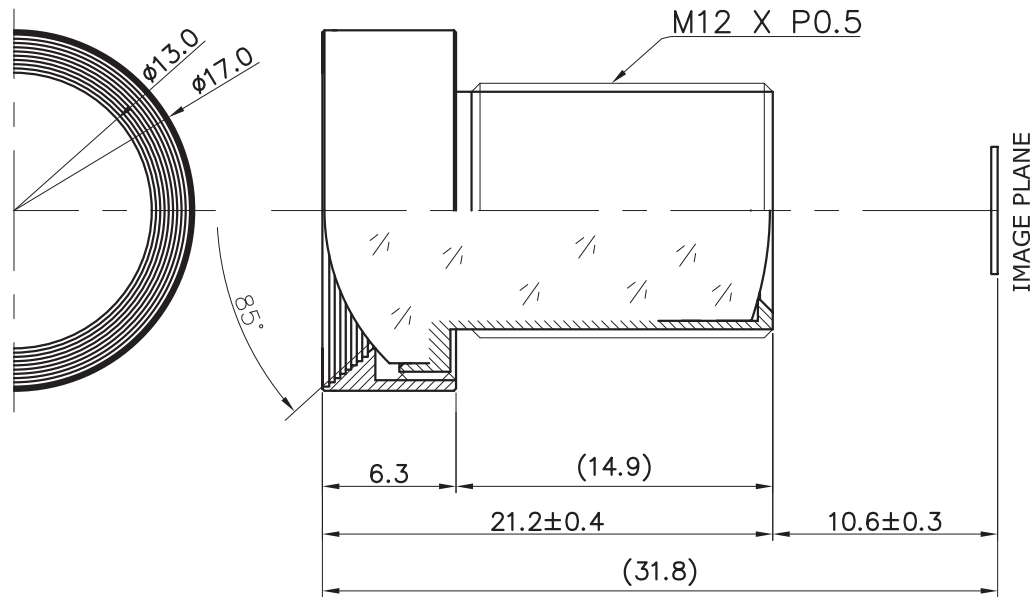


# Lensagon BM6020S12



1. SENSING AREA : 1/2" CMOS [8.74 X 6.83 X 5.45(mm)]
2. FOCAL LENGTH : 6.0MM ± 5%
3. BACK FOCAL LENGTH : 10.7MM ± 5% (IN AIR)
4. MAXIMUM RELATIVE APERTURE : 2.0± 5%
5. IRIS : FIXED
6. LENS CONSTRUCTION : 6COMPONENTS 6ELEMENTS
7. ANGULAR FIELD OF VIEW : 85°(DIAGONAL)  
68°(HORIZONTAL)  
51°(VERTICAL)
9. COATING : Multi-coating (Al2O3)+(ZrO2+TiO2)+(MgF2)  
( IT IS CHANGEABLE ON EXTERNAL DIMENSION BY  
BY CUSTOMER'S REQUIREMENT.)

	TOLERANCES		Designed		Title	f=6.0mm, Fno 2.0 1/2" CMOS 1.3 Megapixel Lens [ M12 X P0.5 ]	
	ANGLE 1°/2		Checked				
	X. ± 0.2		Approved				
	.X ± 0.1 .XX ± 0.05						
A4	Scale	N/S		Dwg No.	DATE	280604	REVISION NO. -00