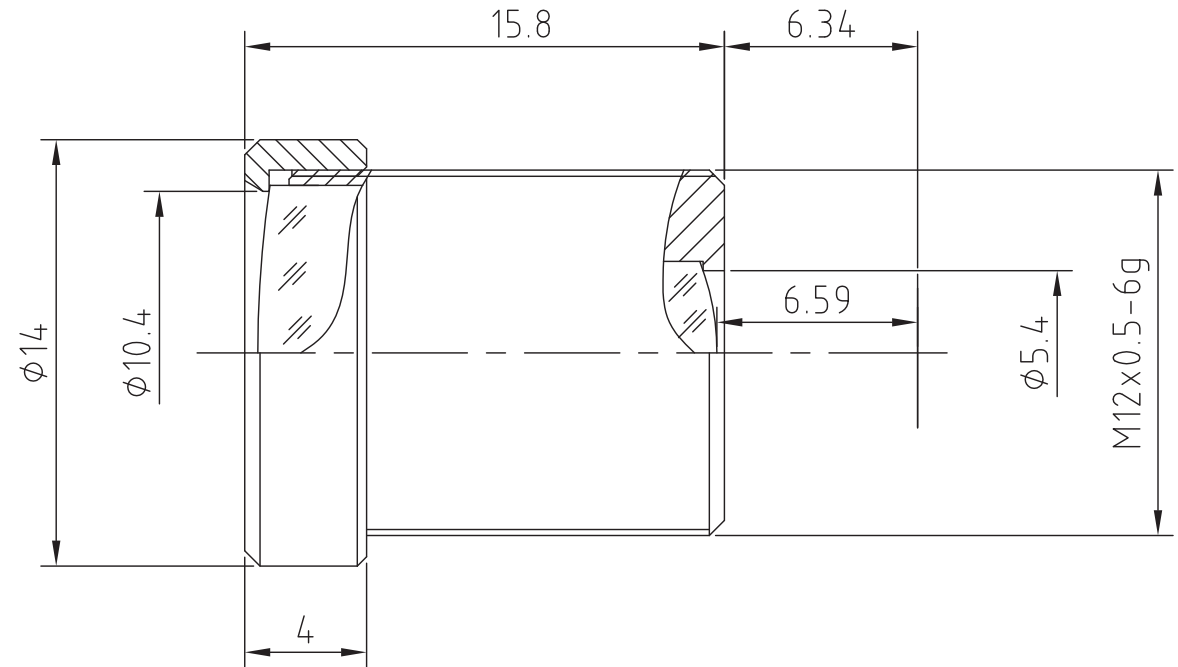


# SPECIFICATION

- 1 Sensing Area: 1/3"
- 2 Focal Length: 16.0mm
- 3 Back Focal Length: 6.59mm
- 4 F/NO: 1.8
- 5 Iris: Fixed
- 6 Optical Distortion:
- 7 Lens Construction:
  - 4 Components 4Groups
- 8 Field Angle (Diagonal): 21°x16.5°x12.5°
- 9 Focus Extent: 20 cm - ∞
- 10 Weight : 6g
- 11 Feature/Function:Day&Night Lens, Megapixel



TOLERANCE		UNIT mm	MATERIAL	SCALE 5:1	SHEET 1 OF 1	QUANTITY	TYPE		
DIMENSION	TOLERANCE				BORDER A4	NAME	DATE	PART NO.	REV.NK A
X.XX	$\phi$ 0.05				CHECKED BY			DATA BASE	
X.X	$\phi$ 0.10				APPROVED BY			<b>CONFIDENTIAL</b>	
X.	$\phi$ 0.30				TITLE <b>BM16018 Full thread</b>				
DO NOT SCALE DRAWING									