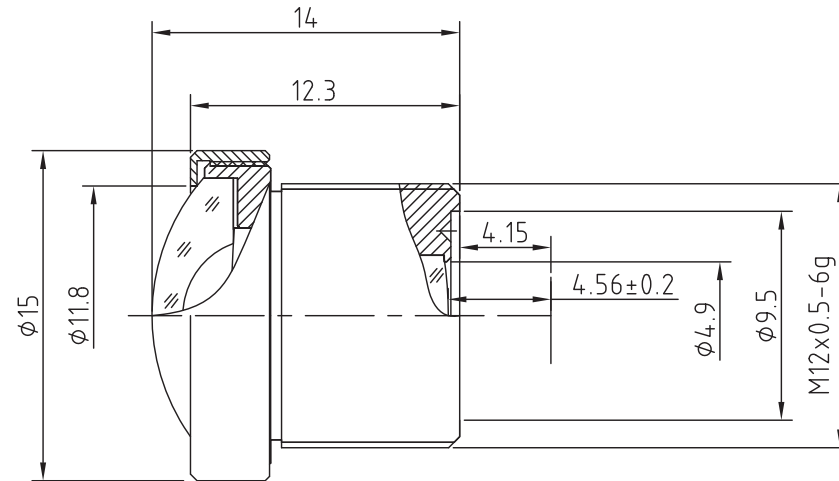


Sensor	CCD/CMOS
Image Format	1/3"
Focal Length	2.4mm
Aperture, F/#	2.0
F.O.V. (D/H/V)	132°/104°/77°
Back Focal Length	4.56±0.2mm
Effective Aperture	ø11.8mm Front
	ø4.9mm Rear
Distortion	
Iris	FIXED
M.O.D.	0.15
Lens Construction	6-5
Mount	M12X0.5-6g B
dimension	ø15X12.3mm



TOLERANCE		UNIT	MATERIAL	SCALE	SHEET	QUANTITY	TYPE
DIMENSION	TOLERANCE	mm		3:1	1 OF 1		
X.XX	ø 0.05				BORDER	NAME	PART NO.
X.X	ø 0.10			A4	DATE	REV.NO	
X.	ø 0.30			DRAWING		A	
DO NOT SCALE DRAWING			TITLE		CHECKED		DATA BASE
			Lensagon BM2420		BY		
					APPROVED		
					BY		