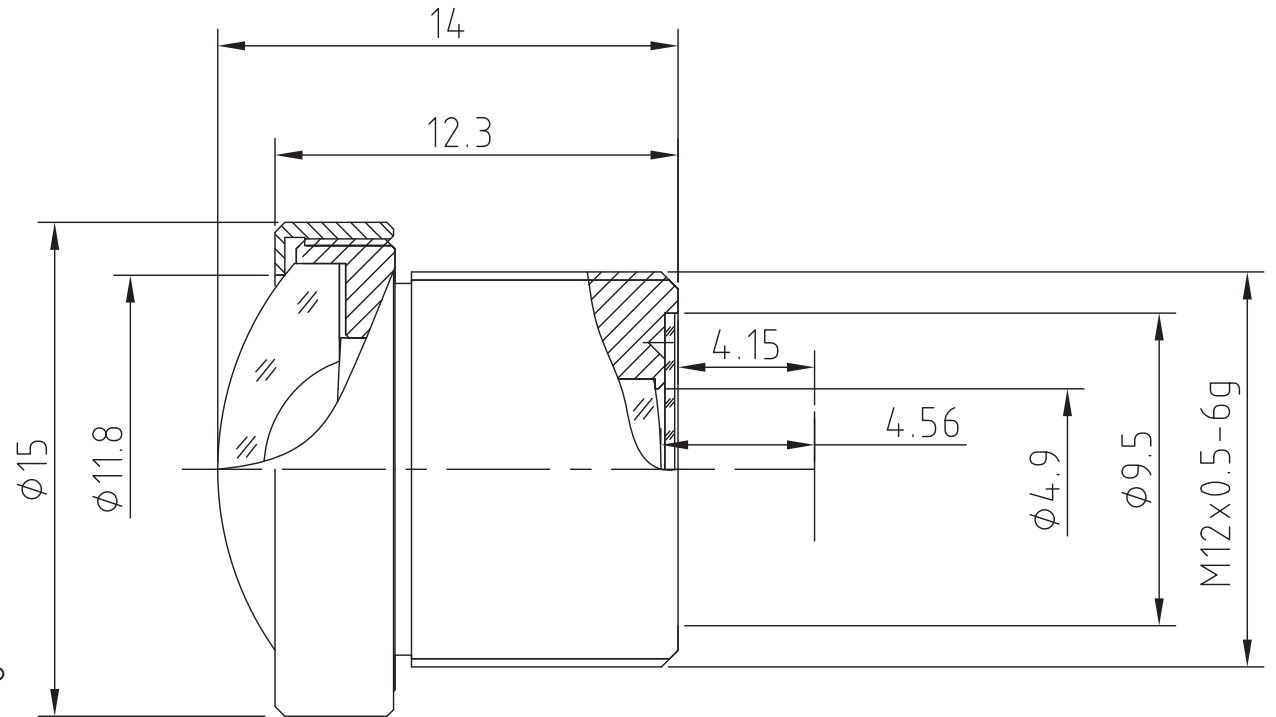



SPECIFICATION

- 1 Sensing Area: 1/3"
- 2 Focal Length: 2.4mm
- 3 Back Focal Length: 4.56mm
- 4 F/NO: 2.3
- 5 Iris: Fixed
- 6 Optical Distortion:
- 7 Lens Construction:
 - 6 Glasses 5 Group + IR cut filter
- 8 Field Angle (Diagonal): 132°x104°x77°
- 9 Focus Extent: 20 cm - ∞
- 10 Weight : 6g
- 11 Feature/Function: Day&Night Lens, Megapixel



TOLERANCE		UNIT mm	MATERIAL	SCALE 5:1	SHEET 1 OF 1	QUANTITY	TYPE			
DIMENSION	TOLERANCE				BORDER A4	NAME	DATE	PART NO.	REV.NO A	
X.XX	± 0.05				CHECKED BY			DATA BASE		
X.X	± 0.10				APPROVED BY			CONFIDENTIAL		
X.	± 0.30				TITLE Lensagon BM2420C					
DO NOT SCALE DRAWING										