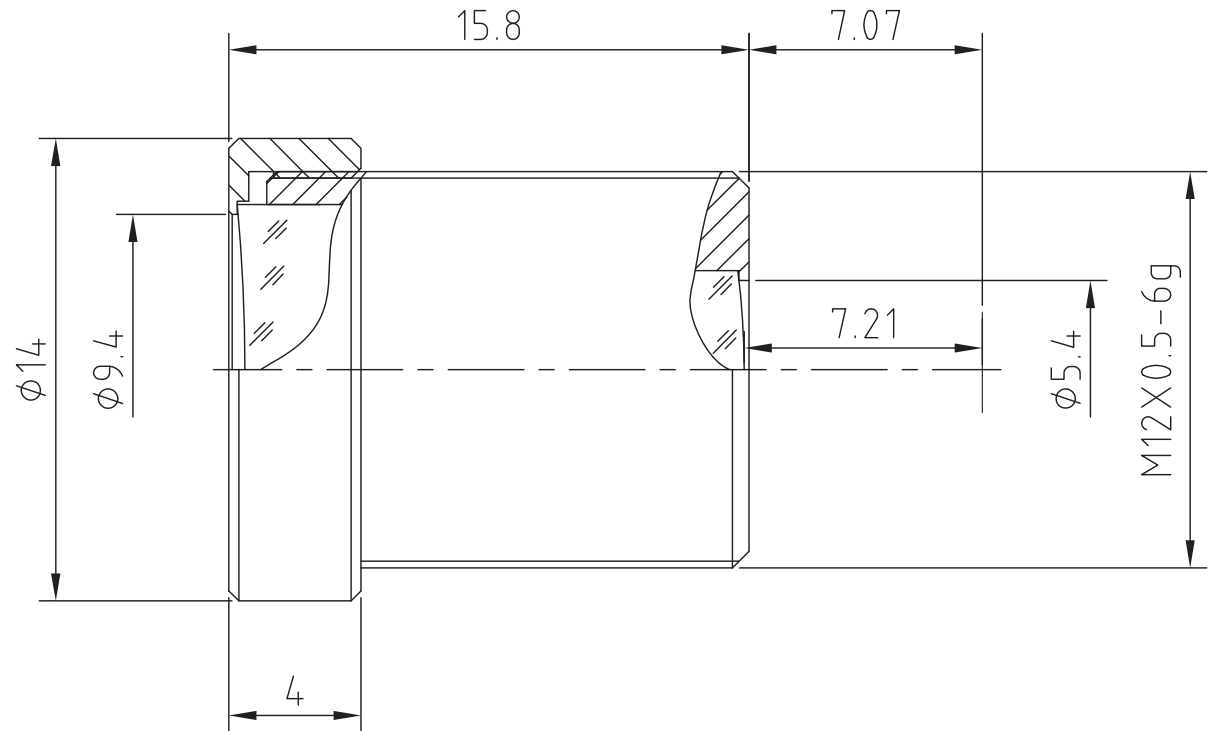



# SPECIFICATION

- 1 Sensing Area: 1/3"
- 2 Focal Length: 4.2mm
- 3 Back Focal Length: 7,21mm
- 4 F/NO: 1.8
- 5 Iris: Fixed
- 6 Optical Distortion:
- 7 Lens Construction:
  - 6 Components 5Group
- 8 Field Angle (Diagonal): 89° x 71° x 49.5°
- 9 Focus Extent: 20 cm - ∞
- 10 Weight : 6g
- 11 Feature/Function:Day&Night Lens, Megapixel



TOLERANCE		UNIT mm	MATERIAL	SCALE 5:1	SHEET 1 OF 1	QUANTITY	TYPE		
DIMENSION	TOLERANCE				BORDER A4	NAME	DATE	PART NO.	REV.NC A
X.XX	ø 0.05				DRAWING BY			DATA BASE	
X.X	ø 0.10				CHECKED BY				
X.	ø 0.30				APPROVED BY				
DO NOT SCALE DRAWING		TITLE	BM4218 Full thread				<b>CONFIDENTIAL</b>		