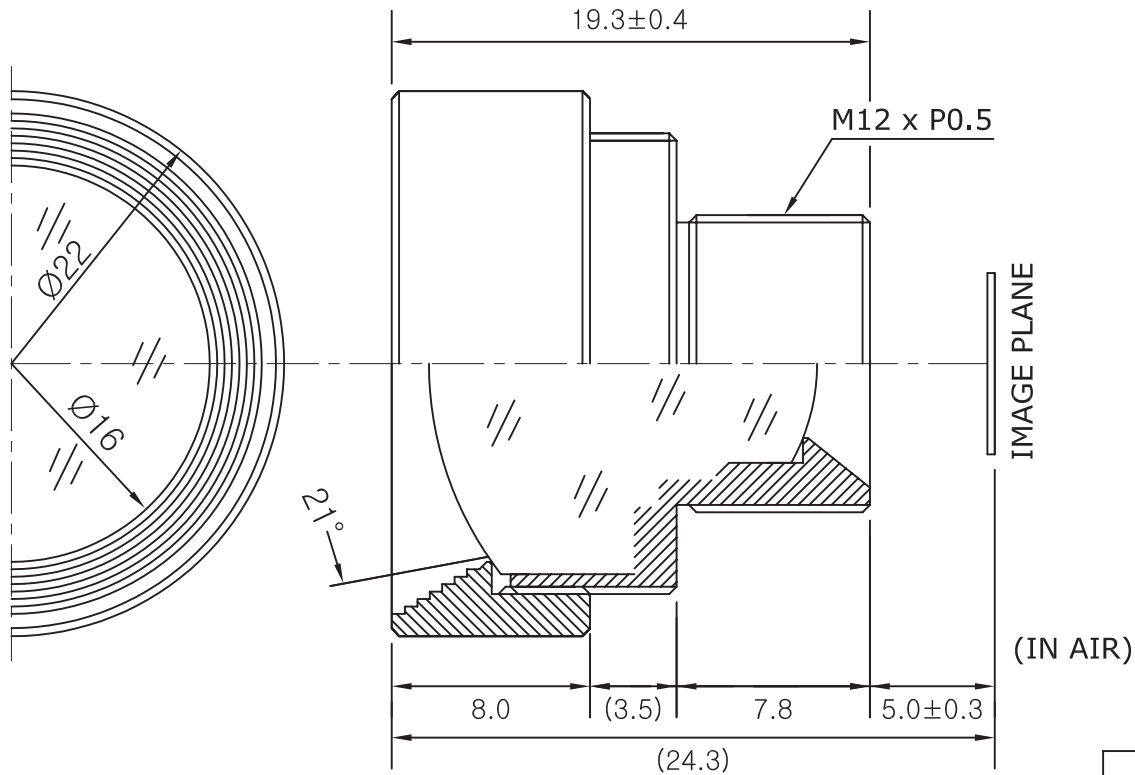


Lensagon BHR16012



1. SENSING AREA : 1/2"CCD
 2. FOCAL LENGTH : 16.0MM ± 5%
 3. BACK FOCAL LENGTH : 7.20MM ± 5%
 4. MAXIMUM RELATIVE APERTURE : 1.2 ± 5%
 5. IRIS : WITHOUT DIAPHRAGM
 6. LENS CONSTRUCTION : 4 COMPONENTS 4 ELEMENTS
 7. ANGULAR FIELD OF VIEW :
 - on 1/2" sensor (DxHxV) : 27.7°x21.8°x16.5°
 - on 1/3" sensor (DxHxV) : 21.0°x17.2°x13.0°
 8. MINIMUM OBJECT DISTANCE : 30 CM
 9. WEIGHT : 15.0 gr
- (IT IS CHANGABLE ON EXTERNAL DIMENSION BY CUSTOMER'S REQUIREMENT.)

NO.	DESCRIPTION	MATERIAL	SIZE	Q'TY	REMARK
DRAWN		TOLERANCES			
CHECKED		ANGLE 1.2°	TITLE Lensagon BHR16012 High resolution		
APPROVED		x. ± 0.2			
SCALE	1/4	.x ± 0.1			
		.xx ± 0.05	DRAW NO.	SHEET NO.	

