

Dark field light DFL100 - Technical data



- LED Dark field light for continuous / pulse operation
- light field diameter 100 mm
- 162 high performance SMD LEDs
- integrated diffusor
- integrated illumination controller
- brightness can be regulated internally (potentiometer) or externally with a VC analogue input
- robust industrial model, Aluminium casing, IP40
- drag chain cable

630

x=0,30
y=0,31

470

525


CONTINUOUS


PULSE


~~FLASH~~

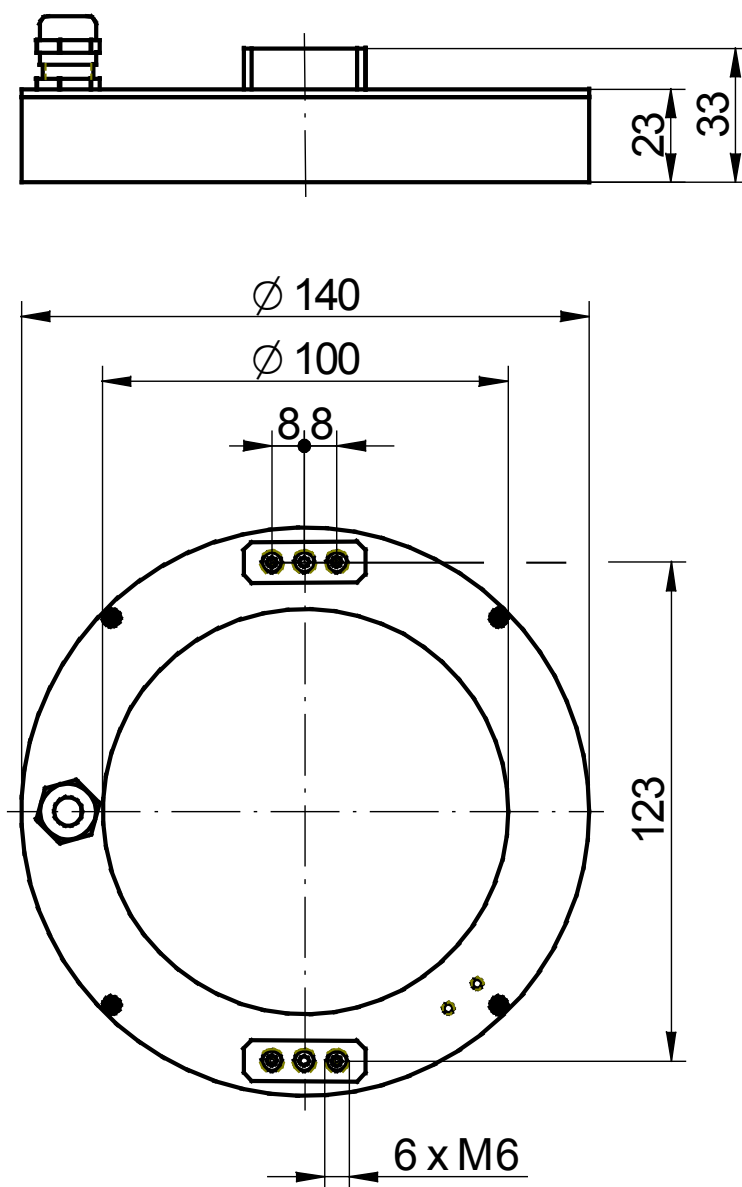

**CONTROLLER
INSIDE**

Model	Colour / Wavelength (nm)	Operating voltage UB (V)	Operating current I (A) / 24 V
DFL100-R	red / 630	10 - 30	0,5
DFL100-W	white / x=0,30 y=0,31	19 - 30	0,6
DFL100-B	blue / 470	19 - 30	0,6
DFL100-G	green / 525	19 - 30	0,6

Operation mode	continuous / pulse	Switching works over the operation voltage or VC analogue input with up to 30 V DC
Brightness regulation	Potentiometer / VC	Potentiometer 0 - 100 % (deactivated on VC - models) VC brightness regulation 0 - 10 % when connected to a voltage of 1 - 10 V DC on the VC analogue input (only the VC - model >>> observe the order data)
Operation temperature	0 - 45 °C / 32 - 113 °F	
Weight	0,45 kg	
Protection class	IP 40	
Connection cable	1,5 m	drag chain cable, bending radius at least 72 mm

Wiring		
brown	+10 / 19...30 V DC	+ Operating voltage (max. 30 V)
white	GND	GND Operating voltage
yellow	+1...10 V DC	VC analogue input brightness regulation / pulse
green (green/yellow)	earth	earth connection

Dark field light DFL100 - Technical drawing



Dark field light DFL100 - Order data

Composition of the product name

Model	Diffusor	Illumination colour	Brightness regulation	Trigger	Flash time
SQ / CRC/...	ALK - incident light, clear screen ALD - incident light, diffused, satin screen ALF - incident light fresnel lens (f=100 mm) DL - transmitted light, highly diffused, white screen POL - polarisation filter	R - red IR - infrared W - white B - blue G - green UV - ultraviolet	VC - VC analogue input active free - Potentiometer active	PLC TTL	10...100 µs 20...220 µs

DFL100 - integrated diffusor	
Product number	Product name
11.40.001	DFL100-R
11.40.002	DFL100-R/VC
11.40.003	DFL100-W
11.40.004	DFL100-W/VC
11.40.005	DFL100-B
11.40.006	DFL100-B/VC
11.40.007	DFL100-G
11.40.008	DFL100-G/VC